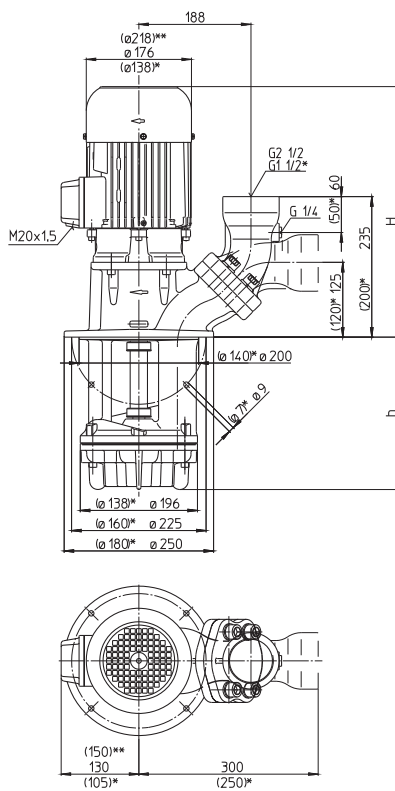


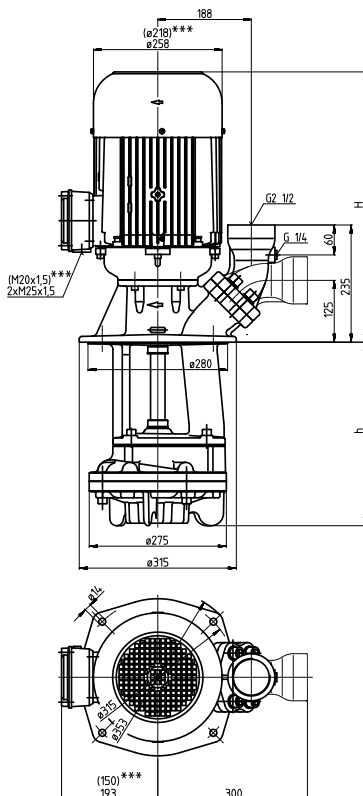
Quick Suctioning Immersion Pumps SFL550...2350

Axial/semi-open impellers

SFL550 ... 1150



SFL1350 ... 2350



*) Dimensions for SFL550
 **) Dimensions for SFL1150
 ***) Dimensions for SFL1350
 Dimensions SFL2350 above flange as with SGL1402

Type	Vol. del. at manom. del. head l/min / m	Height H mm	Depth of im- mersion h mm	Weight kg	Power kW	Voltage 3 ~ V	Fre- quen- cy Hz	Current A	Speed 1/min
SFL550/150	200/5	334	150	23	0.92	220-240	50	3.8	2840
230			230	24					
300			300	25	1.06	460	60	2.1	3440
380			380	27					
470			470	28					
580			580	30					
SFL650/220	400/8	464	220	51					
320			320	54					
450			450	57	2.55	460	60	4.4	3480
570			570	62					
770			770	73					
1000			1000	76					
SFL850/230	500/10	464	230	52					
330			330	55					
460			460	58	2.94	460	60	5.1	3480
580			580	65					
780			780	75					
1010			1010	78					
SFL1150/230	600/10	503	230	62					
330			330	66					
460			460	73	4.55	460	60	7.9	3520
580			580	76					
780			780	85					
1010			1010	88					
SFL1350/310	700/13	533	310	95					
440			440	99					
560			560	106	6.3	460	60	10.4	3510
810			810	122					
1060			1060	131					
SFL1550/310	900/15	612	310	127					
440			440	132					
560			560	135	8.6	460	60	13.7	3550
810			810	154					
1060			1060	163					
SFL1850/310	1150/15	612	310	134	9.0	380-415	50	16.7	2955
440			440	138					
560			560	142	10.3	460	60	15.8	3550
810			810	161					
1060			1060	169					
SFL2350/340	1400/28	974	340	196	18.5	400	50	32	2955
470			470	201					
590			590	207	21.3	460	60	32	3555
840			840	222					
1090			1090	231					

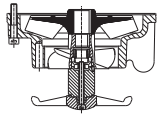
Quick Suctioning Immersion Pumps

series SFL equipped with the patented "BRINKMANN's Suction De-aeration System" are excellently suited to pumping **extremely air entrained fluids** (emulsions) with **heavy chip loads** as they occur in heavy cutting when turning, milling or grinding.

The quick suctioning immersion pumps reach stable working conditions as soon as the liquid level reaches the suction inlet.

The SFL serie offers a **flange** with pressure gauge connection port.

The flange can be rotated for either horizontal or vertical pipe connections.



These pumps are available (upon request) with an additional agitator at the pump suction for breaking up and separating large bundles of chips.



Applications

Types of fluid

- coolants
- cooling/cutting oils

Max. chip to coolant ratio by weight: 1.0 %

Chip material:

- Aluminium, steel, coloured steels

Kinematic viscosity

- ...45 mm²/s (45 cSt)

Pumping temperature

- 0...80° C

Construction

Pump body cast iron

Cover cast iron

Impeller axial cast steel

Impeller radial cast steel

Shaft steel

Optional:

Pump unit with wear resistant wetted parts

Execution CM1

Impeller radial CrMo-steel

Execution CM3

Cover CrMo-steel

Impeller axial CrMo-steel

Impeller radial CrMo-steel

