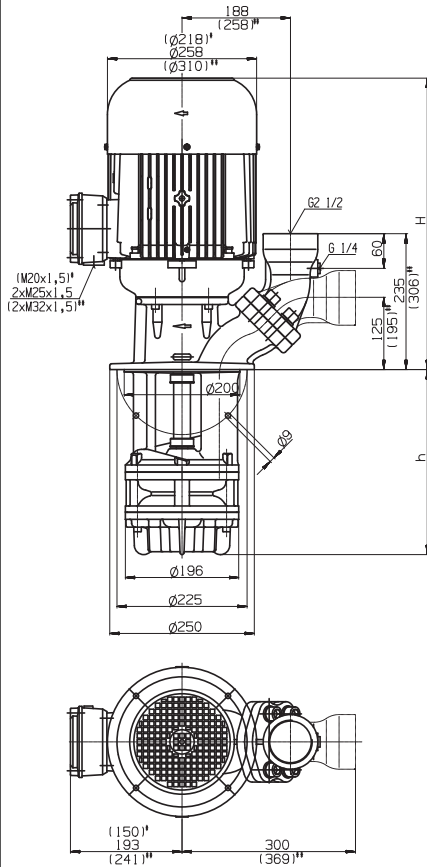


Quick Suctioning Immersion Pumps

SAL901...904

Axial/semi-open impellers

SAL901, 902 SAL903, 904



*) Dimensions for SAL901
**) Dimensions for SAL904

Type	Vol. del. at manom. del. head l/min / m	Height H mm	Depth of immersion h mm	Weight kg	Power kW	Voltage 3~ V	Fre- quen- cy Hz	Current A	Speed 1/min
SAL901/220	600/12	503	220	62	3.3	220-240	50	11.6	2930
	320		320	66					
	450		450	69	3.8	460	60	6.4	3520
	570		570	73					
	770		770	86					
	1000		1000	92					
1120		1120	97						
SAL902/290	600/21	574	290	99	6.0	380-415	50	11.2	2950
	390		390	103	6.9	460	60	10.7	3550
	520		520	106					
	640		640	109					
	840		840	122					
	1070		1070	128					
1190		1190	134						
SAL903/360	600/33	612	360	121	9.0	380-415	50	16.7	2955
	460		460	124	10.3	460	60	15.8	3550
	590		590	127					
	710		710	131					
	910		910	144					
	1140		1140	150					
SAL904/430	600/48	620	430	151	11.0	380-415	50	20.1	2960
	530		530	154	12.6	460	60	19.5	3560
	660		660	159					
	780		780	162					
	980		980	177					
	1210		1210	181					

Quick Suctioning Immersion Pumps

equipped with the patented "BRINKMANN's Suction De-aeration System" are excellently suited to pumping **extremely air entrained fluids** (emulsions resp. cooling/cutting oils) as they occur in heavy cutting when turning, milling or grinding.

The quick suctioning immersion pumps reach stable working conditions as soon as the liquid level reaches the suction inlet.

The SAL serie offers a **flange** with pressure gauge connection port.

The flange can be rotated for either horizontal or vertical pipe connections.

Applications

Types of fluid
coolants
cooling/cutting oils
Kinematic viscosity
...45 mm²/s (45 cSt)
Pumping temperature
0...80° C

Construction

Pump body	cast iron
Cover	cast iron
Impeller axial	cast steel
Impeller radial	cast steel
Shaft	steel

