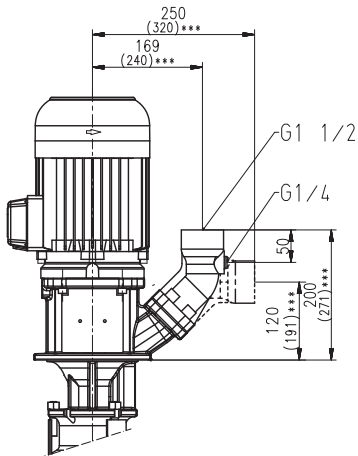


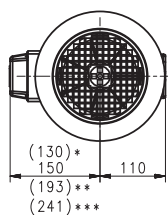
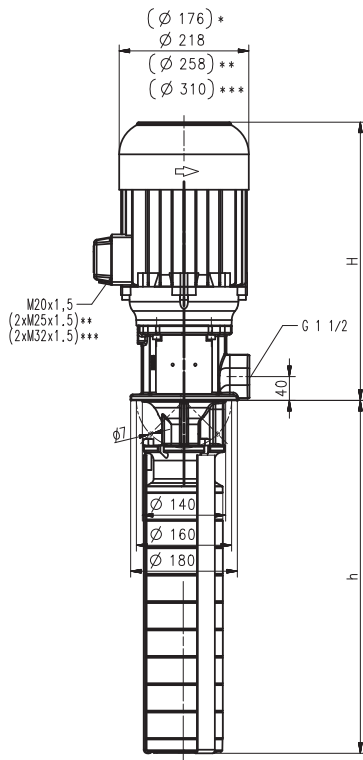
# Immersion Pumps (S)TC260...460

## Closed impellers

### (S)TC260, (S)TC460



### TC260/460...1150 TC460/320...870



- \*) Dimensions for (S)TC260/460, (S)TC460/320
- \*\*) Dimensions for (S)TC260/690 - 920, (S)TC460/530 - 740
- \*\*\*) Dimensions for (S)TC260/1150, (S)TC460/870

Type	Vol. del. at manom. del. head l/min / m	Height H mm	Depth of immersion h mm	Weight kg	Power kW	Voltage 3~ V	Fre- quen- cy Hz	Current A	Speed 1/min
<b>(S)TC260/460</b>	250/30	504	455	54	3.3	220-240	50	11.6	2930
						380-415	50	6.7	2930
<b>(S)TC260/600</b>	250/50	534	593	64	3.8	460	60	6.4	3520
					5.0	220-240	50	17.3	2920
						380-415	50	10.0	2920
<b>(S)TC260/690</b>	250/65	575	685	88	5.75	460	60	9.5	3520
					6.0	380-415	50	11.2	2950
<b>(S)TC260/920</b>	250/95	613	915	112	6.9	460	60	10.7	3550
					9.0	380-415	50	16.7	2955
<b>(S)TC260/1150</b>	250/130	621	1145	137	10.3	460	60	15.8	3550
					11.0	380-415	50	20.1	2960
<b>(S)TC460/320</b>	450/15	465	317	40	12.6	460	60	19.5	3560
					2.2	220-240	50	7.8	2890
						380-415	50	4.5	2890
<b>(S)TC460/390</b>	450/24	504	386	53	2.55	460	60	4.4	3480
					4.0	220-240	50	14.50	2920
						380-415	50	8.35	2920
<b>(S)TC460/460</b>	450/34	534	455	61	4.55	460	60	7.9	3520
					5.0	220-240	50	17.3	2920
						380-415	50	10.0	2920
<b>(S)TC460/530</b>	450/42	575	524	85	5.75	460	60	9.5	3520
					6.0	380-415	50	11.2	2950
<b>(S)TC460/740</b>	450/69	613	731	103	6.9	460	60	10.7	3550
					9.0	380-415	50	16.7	2955
<b>(S)TC460/870</b>	450/90	621	869	127	10.3	460	60	15.8	3550
					13.0	380-415	50	24.2	2960
					15.0	460	60	23.6	3560

### Immersion Pumps

The immersed parts of types (S)TC260 to (S)TC460 are made of stainless steel. They are designed for use on **central coolant systems** and CNC machining centers with **internally cooled tools**.

**Extended length is possible.** See medium pressure pumps features within the technical information section.

### Applications

Types of fluid  
coolants  
cooling/cutting oils  
Kinematic viscosity  
...30 mm<sup>2</sup>/s (30 cSt)  
Pumping temperature  
0...80° C

### Construction

Pump body	cast iron
Intake strainer	CrNi-steel
Impellers	CrNi-steel
Shaft	Cr-steel
Diffusers	CrNi-steel
Mechanical seal	SiC
Optional: Threaded inlet	G 2 ½
<b>Noise level</b>	
(S)TC460/320	63 dBA
(S)TC260/460...(S)TC260/600	70 dBA
(S)TC460/390...(S)TC460/460	
(S)TC260/690...(S)TC260/1150	74 dBA
(S)TC460/530...(S)TC460/870	

