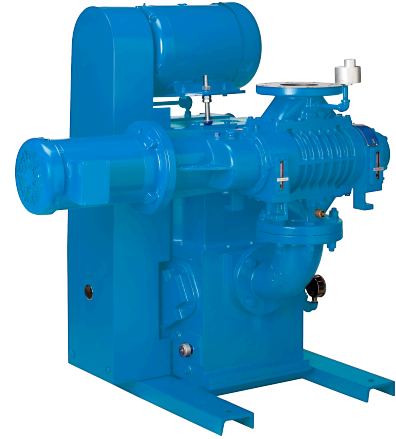


Mechanical Booster Vacuum Pump Systems

Models

CB1630 CB1650 CB1685 CB2085

Kinney® Compact Booster Systems combine the features of Kinney KT™ Pumps and Integral Drive Boosters into a space efficient package capable of continuous high pumping capacity down to 10 microns. They are suitable for use in vacuum furnace, vacuum coating, sputtering, space simulation, and other applications.



Features

- High pumping capacity
- Compact envelope
- Quiet, vibration-free
- Water-cooled for low operating temperature
- Tough, durable pumps

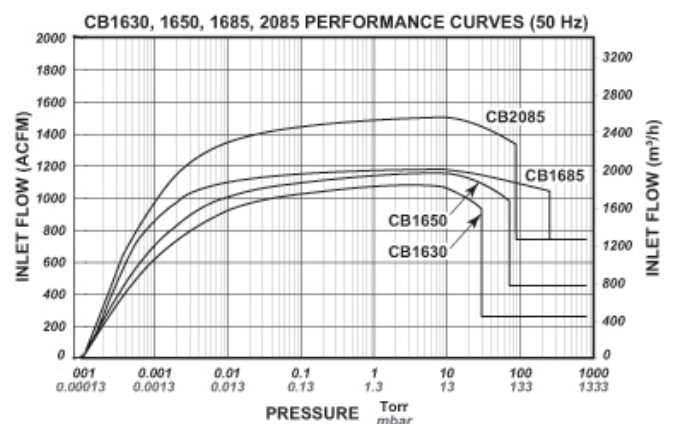
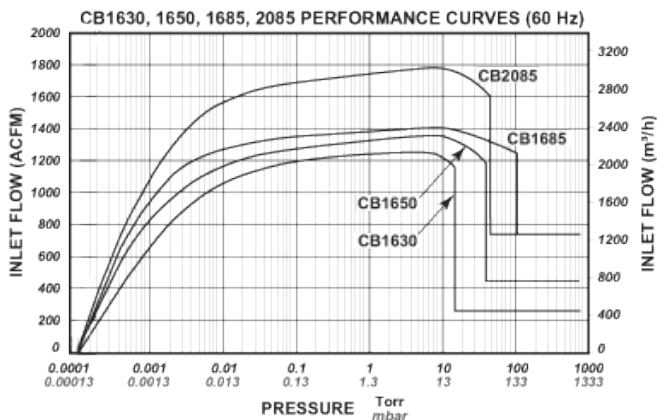
Specifications

SYSTEM MODEL	Hz	CIP ¹ (TORR)	MAXIMUM COP ² (TORR)	BOOSTER MODEL	DISPLACEMENT CFM / m ³ /h	HP/kW	PUMP MODEL	DISPLACEMENT CFM / m ³ /h	HP/kW
CB1630	60	15	4	KMBD-1600C	1600 / 2700	10 / 7.5	KT-300	300 / 500	15 / 11
	50	30	6						
CB1650	60	40	20	KMBD-1600C	1600 / 2700	15 / 11	KT-500	500 / 850	30 / 22
	50	70	66						
CB1685	60	105	105	KMBD-1600C	1600 / 2700	15 / 11	KT-850	780 / 1330	40 / 30
	50	240	240						
CB2085	60	45	45	KMBD-2000C	2000 / 3400	15 / 11	KT-850	780 / 1330	40 / 30
	50	85	85						

¹ CIP = Cut-in Pressure

² COP = Continuous Operating Pressure

Typical Pumping Speed Curves

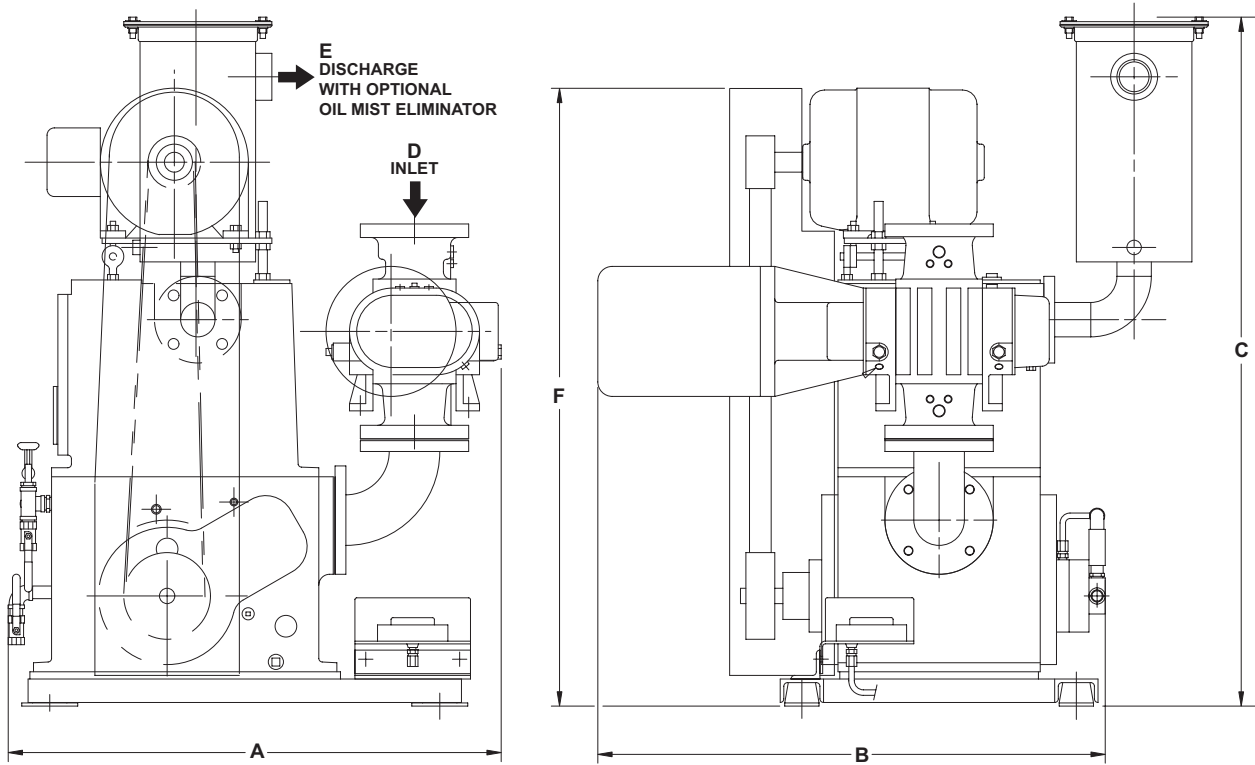


Dimensions

Values shown are approximate and should not be used for construction.

Certified drawings are available through your local Tuthill Vacuum & Blower Systems Sales Professional.

Models CB1630, CB1650, CB1685, CB2085



MODEL	A	B	C	D INLET	E DISCHARGE	F	G
CB1630	44 / 1118	50 / 1270	58 / 1473	6" FLG	3" NPT	55 / 1397	59 / 1499
CB1650	54 / 1372	53 / 1346	72 / 1829	6" FLG	4" FLG	65 / 1651	68 / 1727
CB1685	57 / 1448	58 / 1473	86 / 2184	6" FLG	5" FLG	75 / 1905	75 / 1905
CB2085	57 / 1448	78 / 1981	86 / 2184	8" FLG	5" FLG	75 / 1905	80 / 2032

Standard Configuration

- Integral Drive Booster
- Kinney® KT™ Pump
- Dual Voltage 3/60/230-460V TEFC Motors
- Pressure Switch
- Overtemperature Switch
- Steel Base with VibraMounts

Options

- Oil Mist Eliminator
- Suction Flexible Connector
- Cooling Water Solenoid Valve
- Motor Controls
- Air Cooling Systems

Your Local Tuthill Vacuum Blower Systems Sales Professional:



Tuthill Vacuum & Blower Systems

4840 West Kearney Street

Springfield, Missouri USA 65803-8702

o 417.865.8715 800.825.6937 f 417.865.2950

tuthillvacuumblower.com



TH-031 01/17